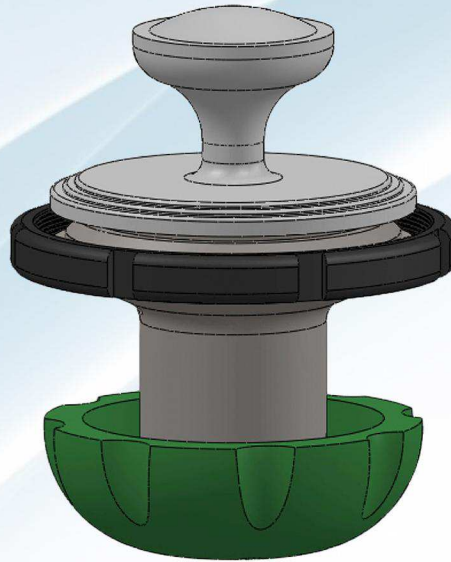




GroynTech

be in vision

Specialized in Design of Containment System



Technical Specification:

- A) Type: Manual Operated Flush Bottom Valve
- B) Mounting: At Bottom of Tank
- C) MOC: Contact Part: AISI 316L
- D) MOC: NON Contact Part: AISI 304
- E) Customize Fittings.
- F) MOC: Diaphragm - TEFLON
- G) Design Temperature: -80°C to +200°C
- H) Design Pressure: -1 to 10 Bar
- I) Size: 50mm
- J) End Connection: GroynTech Design Customize
- K) Application: Outlet of TANK.



“Innovation in Technology” is the Motto of the Organisation